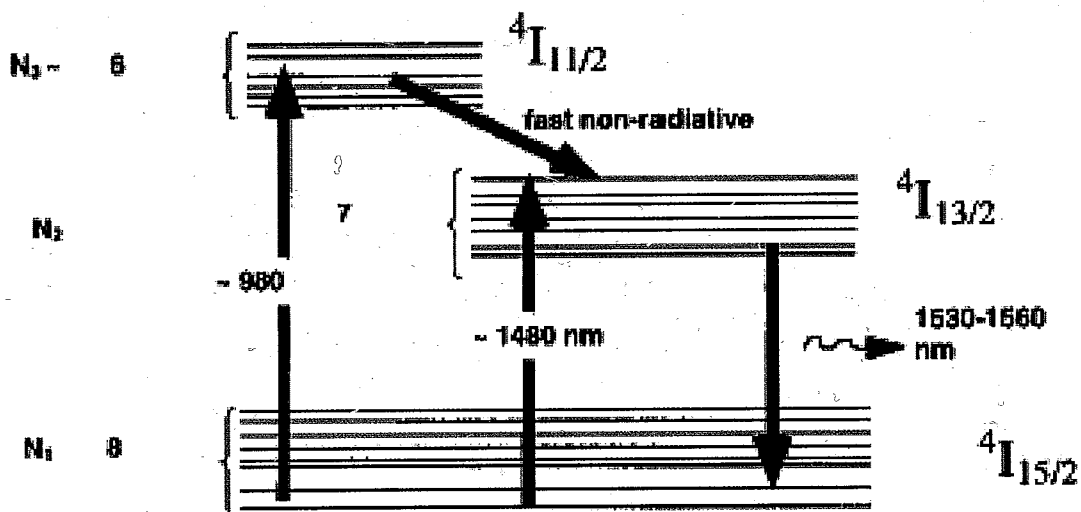


$\text{Er}^{3+}$

(a)



(b)

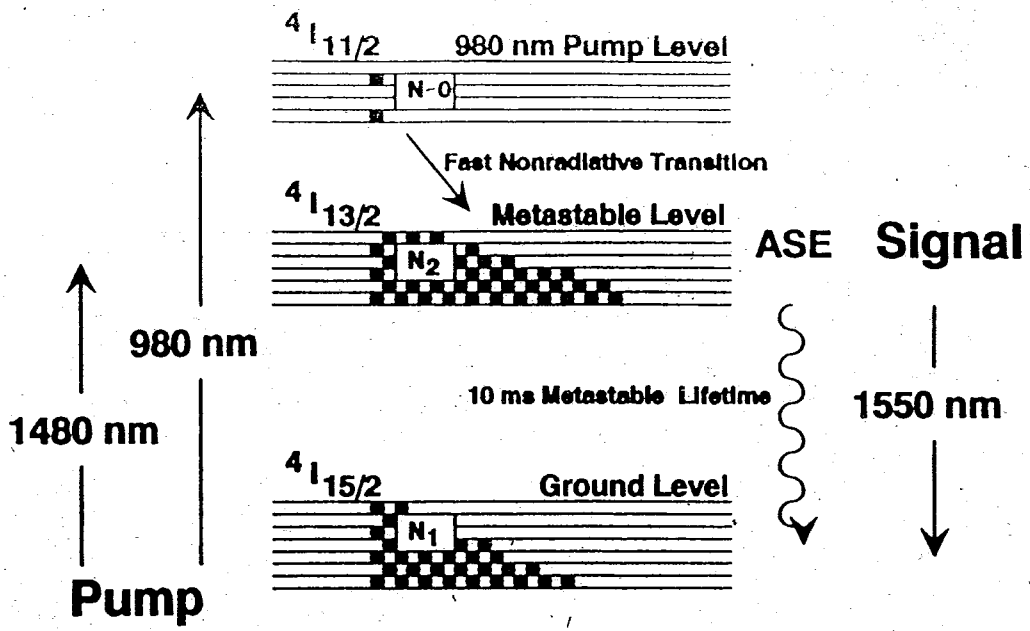


Fig. 3. Simplified energy level diagram of erbium ions showing only the 980-nm pump level, metastable level, and ground level. Associated transitions are also shown.

